

Residential/Light Commercial Gate Closer

This is a perfect closer for applications where a simple to fit, fully featured gate closer is required.

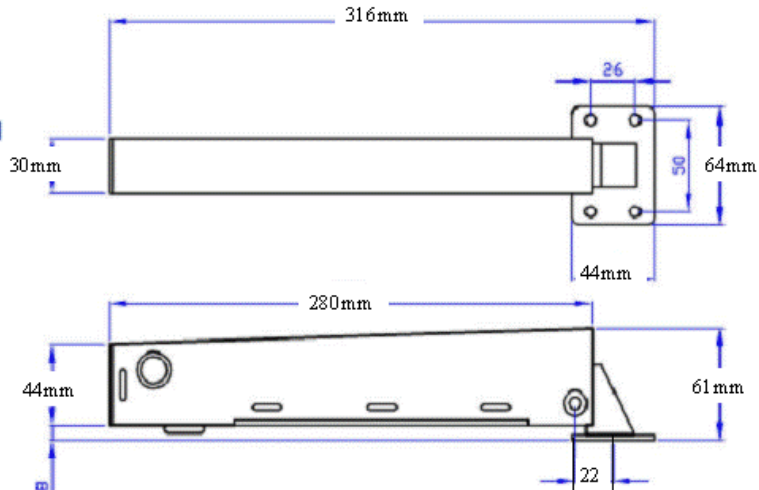
The GCG2000 fits to flush gate and frame arrangements where the gate weight is up to 50kg, and width is no more than 1000mm.

Both the travel and latching speeds are fully adjustable, ensuring gates close in a controlled manner.

These closers are particularly suited to garden gates, picket gates, barrier gates & lightweight doors (non fire rated).

No specialist skills are required to fit the GCG2000 Gate Closer, as detailed step-by-step instructions are included.

In performance tests, the GCG2000 has achieved 100,000 cycles.



Technical overview:

Material	Steel
Colour	Black
Finish	Powder coated
Max. opening angle	90 degrees
Max. gate weight	50kg
Max. gate width	1000mm
Types of gate material	Timber / metal
Gate closing speed	Adjustable
Gate latching speed	Adjustable